

## Directional Coupler

(주)알티엑스테크놀로지

### Feature

- From DC to 6.0GHz
- 10dB, 15dB, 30dB Standard Coupling Value
- Low I/L, High Directivity, Excellent Coupling Flatness
- Up to 200W Power
- Strip, Micro-Strip, Air-Line Design
- SMA, Type-N Available

### Application

- VHF, UHF, TRS
- CDMA, GSM, Cellular, PCS
- UMTS, WLL, Wireless System



## Directional Coupler

**Specification**

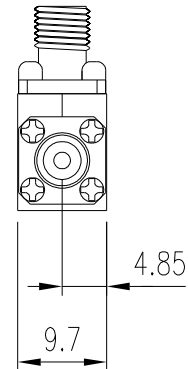
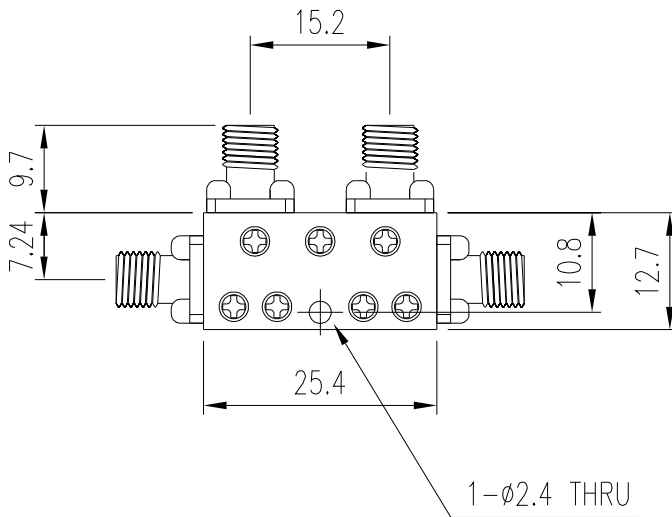
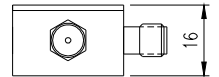
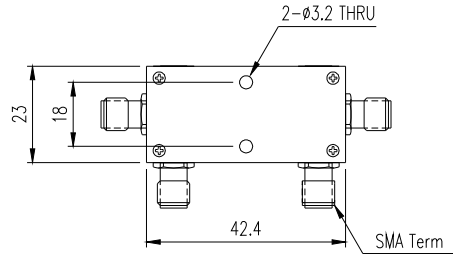
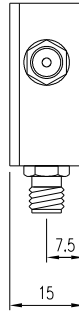
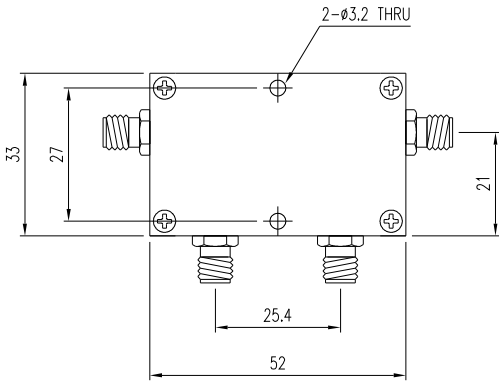
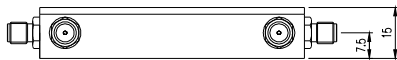
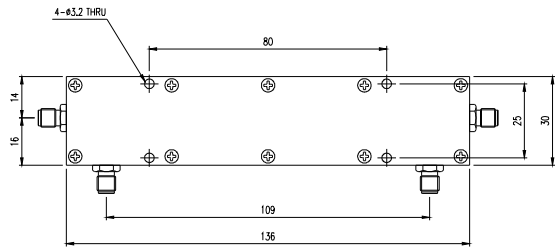
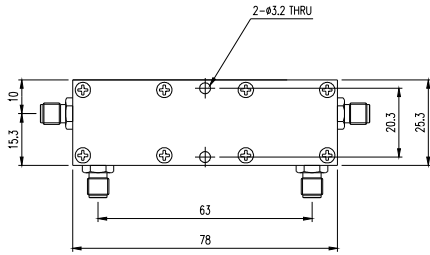
Part Number	Frequency Range	Coupling Value (dB)	Isolation (dB)	R.L (min.)	Input Power (W)(max)	Directivity	Imped. (Ω)	Connector
DC108B20C30P1000W	88~108	30±2.0	-	15	1000	10	50	N(M)
DC600C15P15DA	150~600	15	20 min.	15	15	10	50	SMA(F)
DC600C15P15DA	150~600	15	25 min.	15	15	10	50	SMA(F)
DC400B500C6P100	400~900	6	18 min.	18	100	18	50	N(F)
DC400B500C8P100	400~900	8	18 min.	18	100	18	50	N(F)
DC400B500C10P100	400~900	10	18 min.	18	100	18	50	N(F)
DC400B500C13P100	400~900	13	18 min.	18	100	18	50	N(F)
DC400B500C15P100	400~900	15	18 min.	18	100	18	50	N(F)
DC400B500C20P100	400~900	20	18 min.	18	100	18	50	N(F)
DC400B500C25P100	400~900	25	18 min.	18	100	18	50	N(F)
DC400B500C30P100	400~900	30	18 min.	18	100	18	50	N(F)
DC468C20P100DA	463~468	20	45 min.	18	100	25	50	N(F)
DC790B170L0.3C3P50	790~960	3±0.3	20 min.	20	50	-	50	N(F)
DC800C15P15DA	824~869	15	17 min.	15	15	10	50	SMA(F)
DC800C10P200MW	880~960	10±1.5	30 min.	18	200	20	50	In/Out:N(M)/N(F) Coupling:SMA(F)
DC1000C30P200DA	800~1000	30±1.5	45 min.	20	200	15	50	N(F)
DC2000B1600C20P2W	400~2000	20±1.0	-	18	2	18.0	50	SMA(F)
DC2200C30P200MW	800~2200	30±1.5	40 min.	20	200	18	50	N(F/SMA)
DC2200C30P100MW	800~2200	30±3	40 min.	22	100	9	50	In/Out:N(M)/N(F) Coupling:SMA(F)
DC2200C30P100MW	800~2200	30±3	40 min.	20	100	10	50	N(F)
DC2200C30P100MW	800~2200	30±0.7	20 min.	22	100	23	50	N(F)
DC2200B1400C10P40	800~2200	10±1.0	20 min.	20	40	20	50	SMA(F)
DC1700C10P200MW	1710~1880	10±1.5	30 min.	18	200	20	50	In/Out:N(M)/N(F) Coupling:SMA(F)
DC2170C10P200MW	1920~2170	10±1.5	30 min.	18	200	20	50	In/Out:N(M)/N(F) Coupling:SMA(F)
DC2300B400C10P30W	2300~2700	10±0.5	-	18	30	18	50	SMA(F)
DC2300B400C10P30W	2300~2700	20±1.0	-	18	30	18	50	SMA(F)
DC2300B400C10P30W	2300~2700	30±0.3	-	18	30	18	50	SMA(F)
DC3600B400C6P4W	3400~3800	6±1.0	-	18	4	20	50	SMA(F)
DC7000B500C30P5W	7000~7500	30.0±1.0	-	17	5	17	50	SMA(F)
DC8000B500C20P5W	8000~8500	20.0±1.0	-	17	5	17	50	SMA(F)



# Coupler

## *Directional Coupler*

■ Dimension(mm) –Customizing Design by Customer’s Requests.



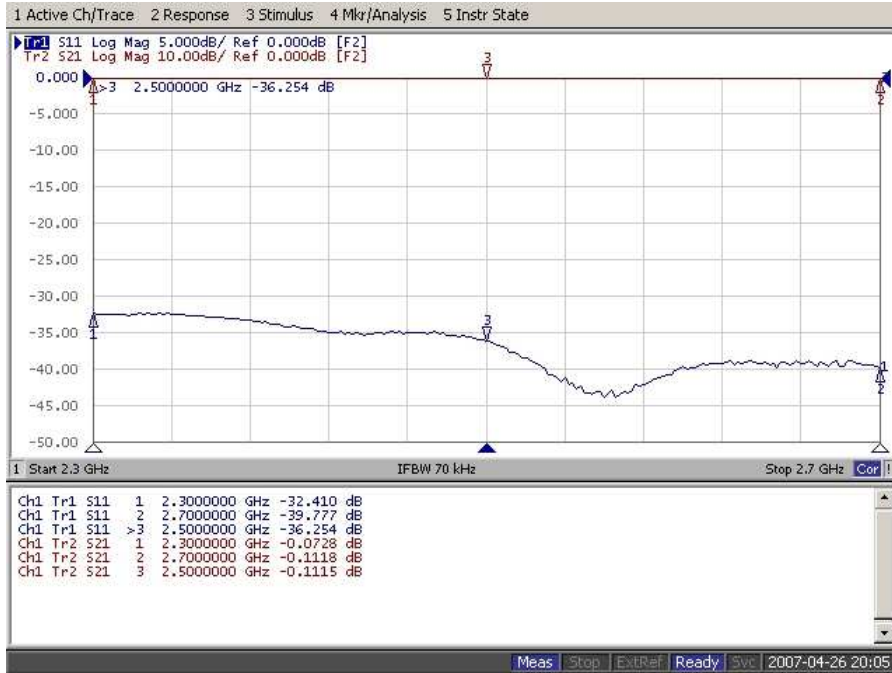


# Coupler

## Directional Coupler

### Performance

RTx P/N : DC2300B400C20P30W



Main Line  
Insertion (Return) Loss



Coupling Value